



Dialight



**DuroSite<sup>®</sup> LED Bulkhead / Wallpack - INMETRO**

for Indoor and Outdoor Industrial Applications



# On when it matters most.

---

Products and solutions that protect your business





## Features & Benefits

- L70 rated for >100,000 hours @ 25° C ambient
- 5 year warranty
- Instant on/off operation
- Mercury free, lead free
- Resistant to shock and vibration
- Additional LED colors available upon request (green or red)

## Application

The Dialight SafeSite® LED Bulkhead luminaire with its low profile, rugged design ensures long life and high reliability for a wide variety of applications requiring INMETRO certification. Offered in 22 Watt and 34 Watt versions, it is ideally suited for oil platforms, explosive environments, mills, chemical plants and other hazardous environments. The product can be supplied with a flush mounting bracket, a 30° angled bracket, or no bracket to enable direct mounting.



# DuroSite LED Bulkhead / Wallpack - INMETRO

## Standard Model



### Certifications & Ratings

- INMETRO Portaria 179:2010
- Certificate number: UL-BR 12.0232X
- Ex II 2G D Ex d IIB T5 Gb
- Ex tb IIIC T100°C Db IP66
- IP66
- RoHS compliant

### Mechanical Information:

#### Fixture weight:

22W: 4.70kg (10.30 lbs)  
34W: 4.85kg (10.70 lbs)

#### Shipping weight:

22W: 9.67kg (15.30 lbs)  
34W: 9.85kg (15.58 lbs)

#### Cabling:

All cable entries are drilled and tapped see ordering options.

### Electrical Specifications:

**Operating Voltage:** 100-277V AC, 50/60 Hz or 24-48V DC

#### Total system power consumption:

See table

#### Operating Temp:

22W: -40°C to +60°C (-40°F to +140°F)  
34W: -40°C to +50°C (-40°F to +122°F)

#### Harmonics:

IEC 61000-3-2

#### Noise Requirements / EMC:

FCC Title 47, Subpart B, Section 15, class B device. RF Immunity; 10V/m, 80MHz-1GHz

#### Transient protection:

1 kV line to line, 2 kV line to ground

#### THD:

<20%

#### Power Factor:

> 0.9

### Construction:

#### Housing:

Copper free aluminum

#### Finish:

Superior dual coat finish  
- Sealed polyester topcoat  
- Chemical-resistant epoxy primer

#### Lens:

High impact resistant clear glass  
High impact resistant frosted glass

#### Mounting Brackets:

316 stainless steel

#### Stanchion Brackets:

Copper free LM6 cast aluminium

### Photometric Information:

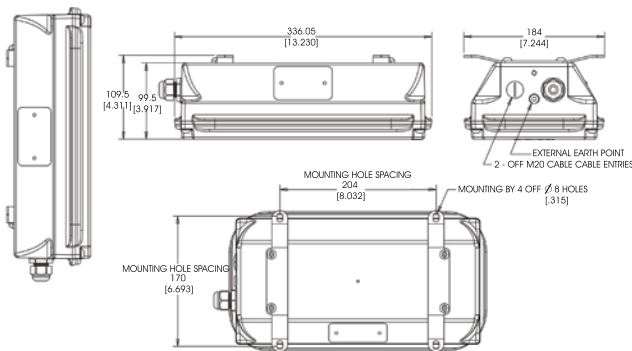
#### CRI:

75

#### CCT:

4000K (neutral white)  
6000K (cool white)

All values typical unless otherwise stated (tolerance +/- 10%)



Shown with Flush mounting bracket

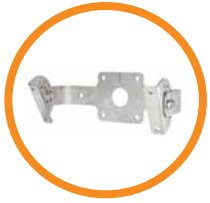
Dimensions in mm [ inches]

### Temperature Ratings

	Ambient Temperature Range T5 Temperature Code	Ambient Temperature Range T6 Temperature Code
22W	-40°C to +60°C (-40°F to +140°F)	-40°C to +50°C (-40°F to +122°F)
34w	-40°C to +50°C (-40°F to +122°F)	-40°C to +40°C (-40°F to +104°F)
Temperature Ratings with Recessed Housing		
22w	-40°C to +55°C (-40°F to +131°F)	-40°C to +45°C (-40°F to +113°F)
34w	-40°C to +45°C (-40°F to +113°F)	-40°C to +35°C (-40°F to +95°F)

# DuroSite LED Bulkhead / Wallpack - INMETRO

## Ordering Information and Mounting Accessories



**WP-BRKT-SS-ADJ**

- Adjustable Bracket
- Includes self-tapping screws



**WP-STMB-LG00- 22**

- 1 1/2" BSP threaded straight stanchion mounting bracket

**WP-STMB-LG00 -24**

- 1 1/2" NPT threaded straight stanchion mounting bracket



**WP-STMB-LG85-22**

- 1 1/2" BSP threaded 85 degree stanchion mounting bracket

**WP-STMB-LG85-24**

- 1 1/2" NPT threaded 85 degree stanchion mounting bracket

**WP-STMB-LG85-50**

- Non threaded bore 34mm diameter

**WP-STMB-LG85-60**

- Non threaded bore 38mm diameter



**WP-BRKT-LG-PF**

- Pipe and flush bracket
- Includes self-tapping screws



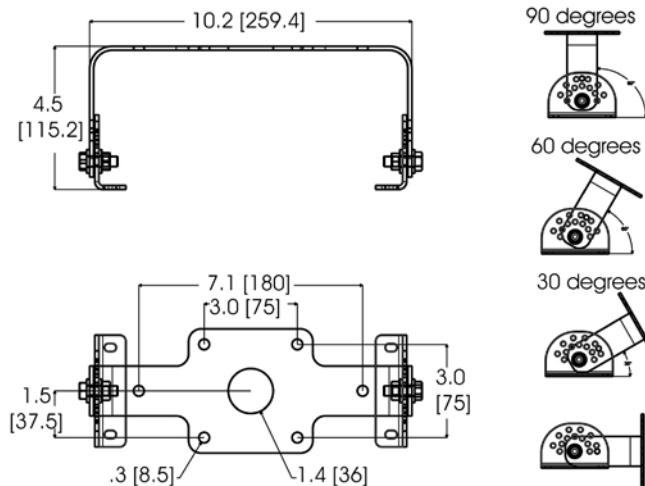
**WP-STMB-LG25-22**

- 1 1/2" BSP threaded 25 degree stanchion mounting bracket

**WP-STMB-LG25-24**

- 1 1/2" NPT threaded 25 degree stanchion mounting bracket

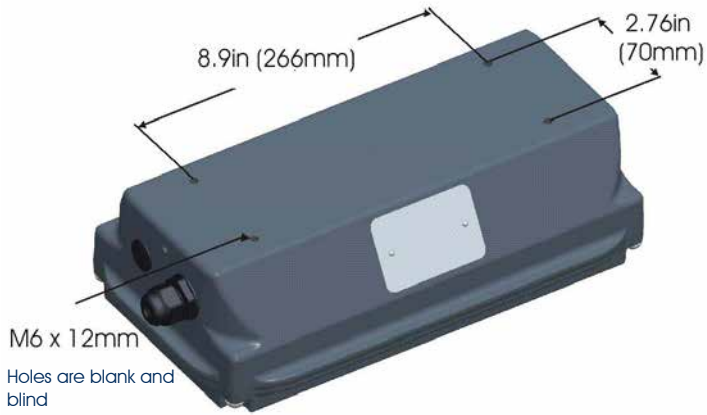
WP-BRKT-SS-ADJ



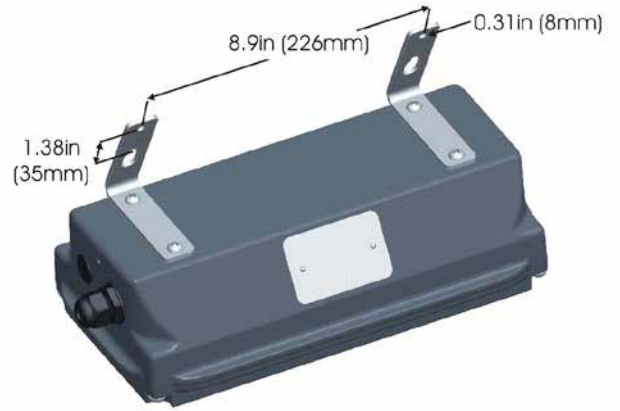
# DuroSite LED Bulkhead / Wallpack - INMETRO

## Mounting Diagrams

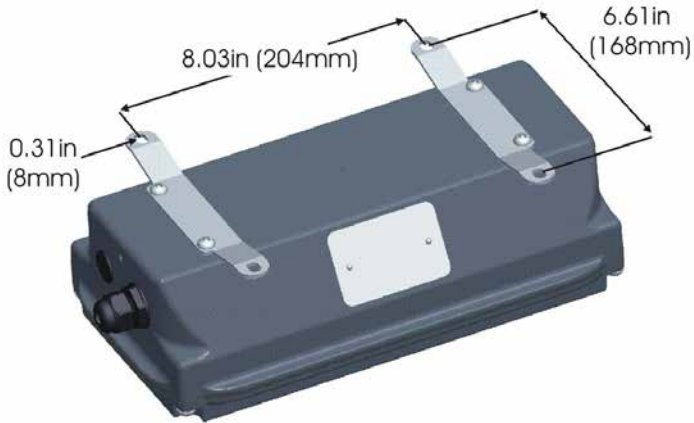
Without Bracket



30° Angle Bracket



Flush Bracket



WP-STMB-LG00-XX



Standard Option



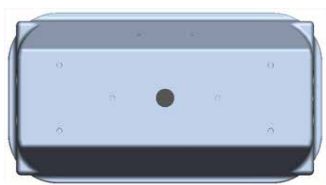
2 Entries One Side

Option "E"



2 Entries One Side, 1 Entry Opposite Side.  
Add **E** to the end of the order code

Option "R"



Add **R** to the end of the order code

Option "H"



2 Entries One Side, 2 Entries Opposite Side and 1 Entry in the Rear  
Add **H** to the end of the order code

# DuroSite LED Bulkhead / Wallpack - INMETRO

## Ordering Information and Light Distribution Pattern

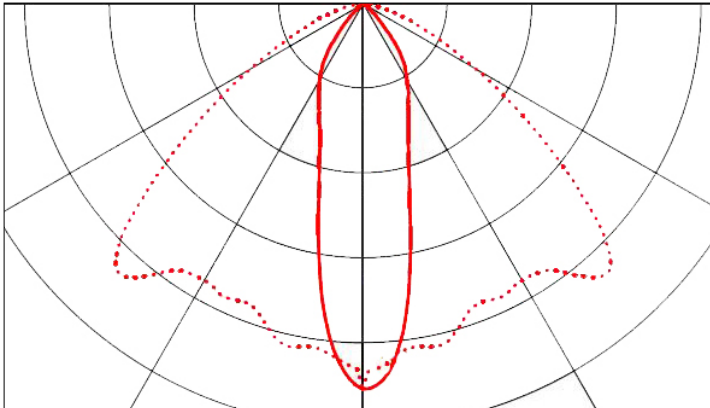
Part Number	Initial Fixture Lumens	Wattage	Lm/W	IP Rating	Voltage	Colour Temperature (CCT)	Lens	Light Distribution
<b>Standard Models - 100 - 277V AC</b>								
WPA-2C3L-NLGC-BR	2,250	34	66	IP66	100 - 277V AC	6000K (cool white)	Clear Tempered glass	Narrow
WPA-4C3L-NLGC-BR	2,250	34	66	IP66	100 - 277V AC	6000K (cool white)	Clear Tempered glass	Oval (35° X 55°)
WPA-5C3L-NLGC-BR	2,150	34	63	IP66	100 - 277V AC	6000K (cool white)	Clear Tempered glass	Oval (55° X 35°)
WPA-2C3H-NLGC-BR	1,200	22	55	IP66	100 - 277V AC	6000K (cool white)	Clear Tempered glass	Narrow
WPA-4C3H-NLGC-BR	1,200	22	55	IP66	100 - 277V AC	6000K (cool white)	Clear Tempered glass	Oval (35° X 55°)
WPA-5N3H-NLGC-BR	1,200	22	55	IP66	100 - 277V AC	6000K (cool white)	Clear Tempered glass	Oval (55° X 35°)
<b>Standard Models - 24 - 48V DC</b>								
WPA-2C3L-NLGC-BR	2,250	34	66	IP66	24 - 48V DC	6000K (cool white)	Clear Tempered glass	Narrow
WPA-4C3L-NLGC-BR	2,250	34	66	IP66	24 - 48V DC	6000K (cool white)	Clear Tempered glass	Oval (35° X 55°)
WPA-5C3L-NLGC-BR	2,150	34	63	IP66	24 - 48V DC	6000K (cool white)	Clear Tempered glass	Oval (55° X 35°)
WPA-2C3H-NLGC-BR	1,200	22	55	IP66	24 - 48V DC	6000K (cool white)	Clear Tempered glass	Narrow
WPA-4C3H-NLGC-BR	1,200	22	55	IP66	24 - 48V DC	6000K (cool white)	Clear Tempered glass	Oval (35° X 55°)
WPA-5N3H-NLGC-BR	1,200	22	55	IP66	24 - 48V DC	6000K (cool white)	Clear Tempered glass	Oval (55° X 35°)

All values typical unless otherwise stated, Lumen values are typical (tolerance +/- 10%).

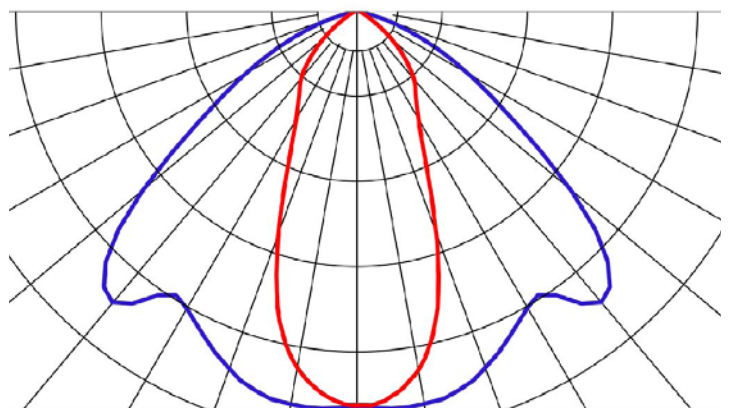
Part number in table show fixture without a bracket.

All the codes listed above (except for amber models) are neutral white. For Cool white, change the 'C' to 'N'. Ex: WPA-4C3L-NLGC becomes WPA-4N3L-NLGC.

Oval light pattern (35°x55°)



Oval light pattern (55°x35°)



Narrow light pattern

